



COSTRUZIONE  
INCOLLATRICI  
RAPIDE - ROMA

### **SPLICER FOR 16 mm FILM**

**Mod. M3 - 16 mm**  
**Mod. M3 - 16 mm 2T**  
**Mod. M.3 - 16 mm SPECIAL**  
**Mod. M.3 - 16 mm 2T SPECIAL**

### **INSTRUCTIONS FOR USE**

The operations for use are identical for:  
— M.3 - 16 mm 2T DOUBLE PERF. «SPECIAL»

---

Manufacturing of splicers with transparent non-perforated adhesive tape on **CIR Patents** for all types of film cinema, photo, magnetic, video, micro, multiple neg./pos. and specials.

**CIR - CATOZZO**

Cas. post. 1 - 00050 Santa Severa (Rome - Italy)  
Tel. (0766) 74.00.08 - 74.01.81 - Fax (0766) 741390

---

fig. 3 M.3-16mm 2T

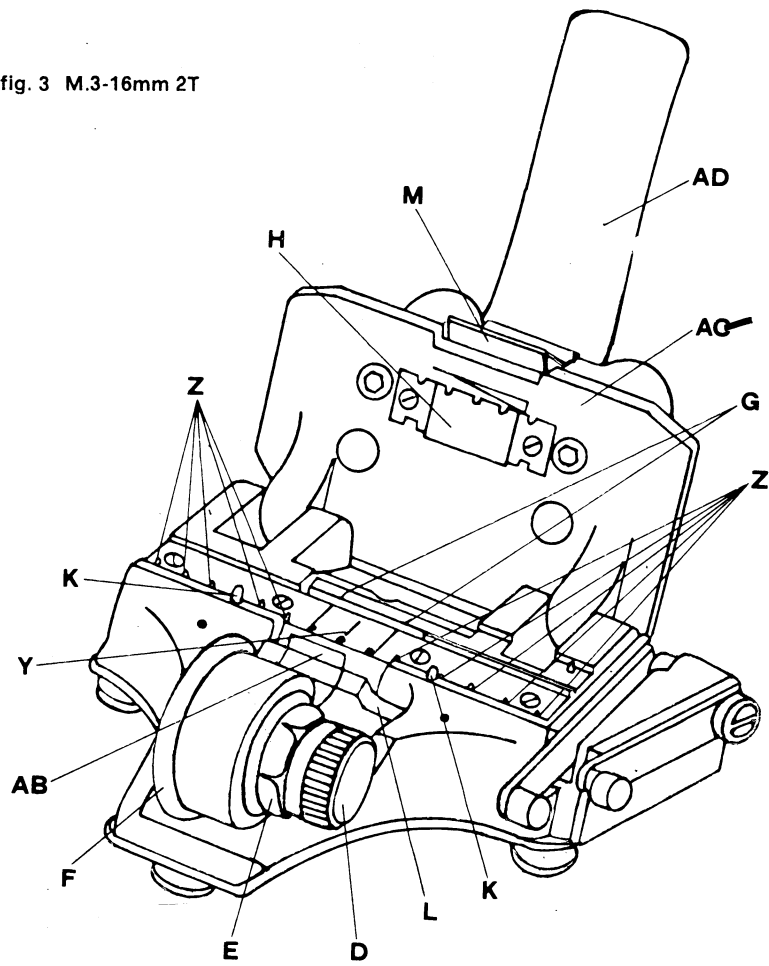
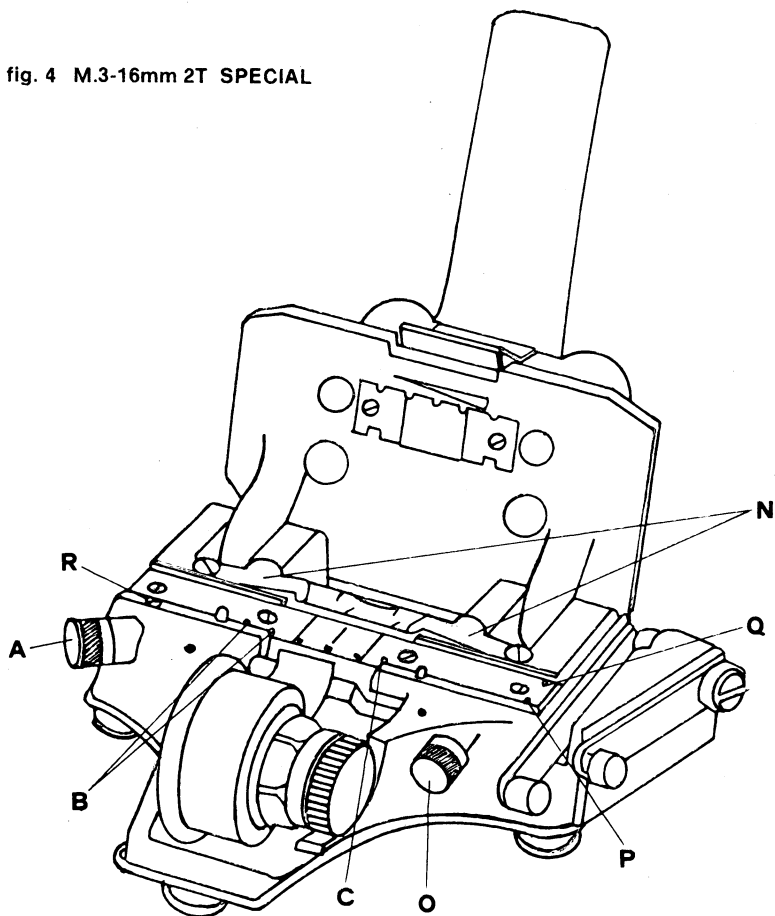


fig. 4 M.3-16mm 2T SPECIAL



## INSTRUCTIONS FOR USE OF THE M.3-16mm & M.3-16mm 2T SPLICERS

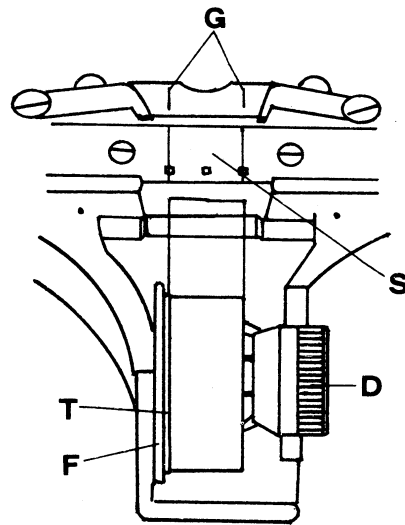


fig. 1

Before using the splicer, make sure:

1) that the adhesive tape (S, fig. 1) — three or four superimposed layers — is applied to the matrix. It ensures that the little rectangles cut off by the perforators remain under the matrix and do not turn over sticking to the film.

**NEVER TAKE IT OFF,  
BUT RENEW IT FROM  
TIME TO TIME!**

2) that the adhesive tape is accurately centred within the guide - lines marked on bridge (G). The tape spacer ring (T) is suitable for the frame - line (15,3 mm wide) tape supplied with the splicer.

The adhesive tape roll is pushed towards the flanges (F, T) and has no possibility of shifting sideways.

Now, pulling the adhesive tape forward and fixing the end correctly within the two guide - lines on rear bridge (G), exactly two pictures of the film will be covered frame-line-to-frame-line.

Obviously this result can be achieved only if 15,3 mm wide tape is used for splicing.

Tapes of different widths may be centred removing or adding flanges available in various thicknesses.

3) that the adhesive tape unroll tension - adjustable with regulation knob (D) — is such to hold the tape well stretched after the application of the end between the two guide - lines on rear bridge (G).

Tape unroll tension control has become necessary since not all commercially produced adhesive tapes have the same unwinding characteristics, depending on different peculiarities of adhesive used (more or less adhesion) or on different internal diameters of tape core (as a rule 1") or on the tape core material itself (cardboard or plastic).

### FILM CUTTING

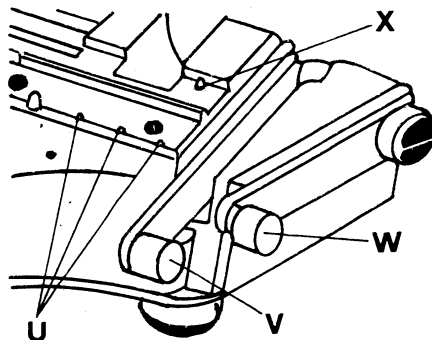


fig. 2

Fix the film to registration pins (U, fig. 2) and use straight cut (V) for the picture.

The M.3 - 16 mm 2T splicer has a double knife: straight cut (V) for the picture and diagonal cut (W) for magnetic film.

The second guide - channel (X) is for magnetic film allowing the cut of even one or two frames from the magnetic film right - hand cut.

### FILM SPLICING

- fix the two film ends to be spliced to the registration pins (Z) ensuring they butt accurately at matrix-centre (Y, fig. 3)
- pull the adhesive tape end (AB) forward and apply it between the guide - lines on bridge (G) ensuring it is well stretched and adhering to the bridge.
- lower the top casting (AC) and push the handle (AD) as far as it will go.

Thanks to the specific characteristics of the new M.3, lowering the handle, it will automatically perform the following operations:

- a) a special **RUBBER COATED PRESSURE PAD (H)** will apply the adhesive tape uniformly on film with no need for finger pressure
  - b) the adhesive tape will be cut and punched according to film width and perforation as in previous models
  - c) the top casting, when lowered, will press down the two pins (K) which, by means of a special mechanism, will make the "New Bridge" bar (L) rotate upwards, towards the matrix.
  - d) the new **TAPE METAL PRESSURE PLATE (M)** will firmly fix the adhesive tape on the "New Bridge" bar (L)
  - e) lifting the handle again, the "New Bridge" bar (L) will return to its original position, leaving the adhesive tape end ready for the next splice.
- Repeat the operation on reverse side of film.

**ATTENTION:** on splicing magnetic film, apply the adhesive tape only on the base. On splicing film with sound track, be careful not to cover the track with adhesive tape. (With our M.3 - 16 mm FR model, it is not necessary to repeat the operation on the reverse side of film. It is sufficient to turn over the excess tape tab cut by the splicer to complete the splice. And the sound track remains free.)

#### **SUPPLEMENTAL INSTRUCTIONS FOR USE OF THE M.3-16mm AND M.3-16mm 2T SPECIAL**

Basically the method of use of the M.3 SPECIAL models is as described for the M.3. Substantial improvements have been introduced in the M.3 SPECIAL models to obtain more precise splices.

With the new **MICROMETRICAL REGISTRATION PIN REGULATOR**, you can vary the distance between the central movable pins (B) and the central fixed pin (C), by turning knob (A, fig. 4).

In such way all types of sprocketed polyester, acetate, new, old, long or short 16 mm films with different perforation pitches can be aligned in a perfect butt position without overlap or a gap between them.

This is extremely important because:

- if there is a gap, splices will form an incorrect loop during projection, as shown in the figure below:



- if there is even a slight overlap, the splice will be rigid and will modify the film loop this way:



- but, if the splice is perfectly closed, the correct loop will be maintained the splice itself will be far more resistant and will pass noiselessly in projection without hitting the pressure plate of the film - gate:



If you use always the same type of film (with the same pitch length) you may lock the micrometrical regulation movement with screw (R).

You may encounter the troublesome problem of having to splice film ends which are bent, especially if film is old and wound close to the core. The **FILM FIXING SPRINGS (N)** will flatten the two film ends on the matrix; when not needed, they can be left in the back position with no inconvenience.

Finally, by rotating knob (O), the two registration pins (P) and (Q) will alternatively raise and lower.

This system of **ALTERNATE PINS** replaces, with pin (Q) up, the second guide - channel of M.3 models and permits precise and easy cuts of even one frame from the right hand cut of the magnetic sound.

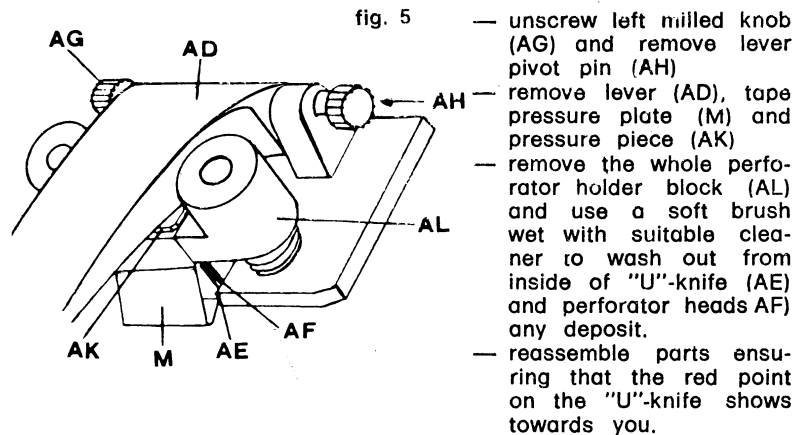
By rotating knob (O) into an intermediate position, both pins (P) and (Q) will disappear. In such position it is possible to splice very short films which cannot be fixed to both central pin (C) and external pin (P) without damaging the perforation.

## SPLICER SERVICING

This splicer does not require special servicing. All that is needed is to remove the adhesive deposits which, from time to time, collect on the inner parts of the "U"-knife (AE, fig. 5) and inside the perforator heads (AF).

The dismantling of the parts to be cleaned **DOES NOT REQUIRE TOOLS!**

### CLEANING OF THE "U"-KNIFE (AE) AND PERFORATOR (AF):



**NEVER SHARPEN "U"-KNIFE (AE) AND PERFORATOR HEADS (AF). JUST KEEP THEM CLEAN!**

### CLEANING OF MATRIX:

- remove the adhesive tape layers (S, fig. 1) from matrix-centre, but **DO NOT** clean the little rectangles of adhesive tape cut off by the perforator, from the matrix holes.
- clean with suitable cleaner the edges of matrix along which tape is cut by the "U"-knife.
- reapply 3 or 4 layers of adhesive tape on the matrix - centre.

### REPLACEMENT OF RUBBER COATED PRESSURE PAD (H):

This part is to be changed from time to time because, for best results, its surface must be perfectly clean.

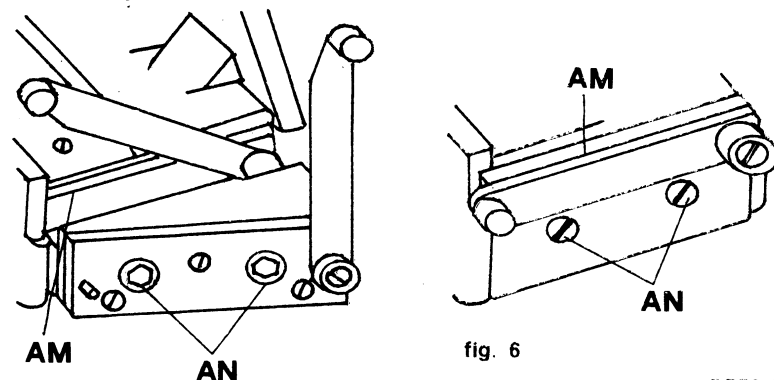
It is not difficult to replace the complete part - inox steel plate with rubber backing - just screw it in the place of the old one and it will be automatically adjusted.

The rubber pad only can be supplied complete with the adhesive for its application; first remove any residue of adhesive from the inox steel plate and then apply the new pad ensuring not to obstruct the passage of the perforator and "U"-knife.

### TRIMMING-LINE REGULATION OF SIDE CUTTER ASSEMBLY:

If for any reason the trimming-line (AM, fig. 6) gets out of place, re-adjust it with the two screws (AN).

This is however a delicate operation which requires technicians' skill and precision.



## ACCESSORIES

### SKID PLATE 16 mm :

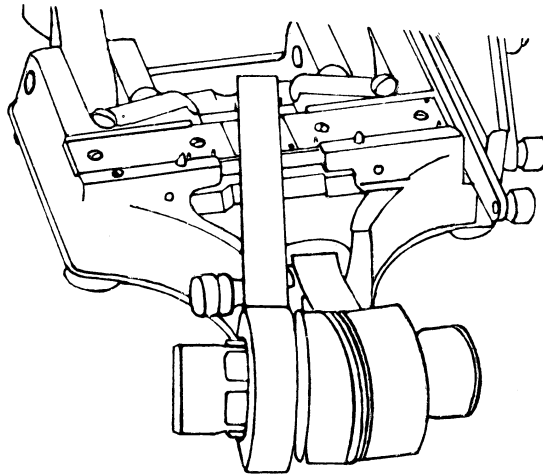
Easy fitting to M.2 models, without modifications to the splicer.  
Standard outfit on M.3 and M.3 SPECIAL models.

- protects supporting surface from scratches
- gathers the little rectangles of adhesive tape cut off by the perforators
- makes the splicer more stable.

### TAPE FOR TWO 16 mm :

Easy fitting to all M.2 and M3 models without modifications to the splicer.

- keeps ready for use two types of adhesive tape: white tape for magnetic and transparent tape for picture film,
- allows regulation of tape unwinding resistance according to operator's preference,
- change of tapes in a few seconds,
- stronger splices on magnetic films with tape edges parallel to diagonal cut.



### ADHESIVE TAPES " FOR CIR SPLICER "

With special backing and adhesive. Available in the following widths :

- 8,5m/m (covering exactly two frames of Super 8 film)
- \*— 15,3m/m (covering exactly two frames of 16mm film)
- 17m/m (covering exactly four frames of Super 8 film) for use with our M.3-SUPER 8 -2T SPECIAL splicer
- 38m/m (covering exactly two frames of 35mm film) for use with our M.3-35mm/2 FRAMES splicers
- \*— 25m/m (for 35mm film)
- in 10 metre and 20 metre long rolls.